

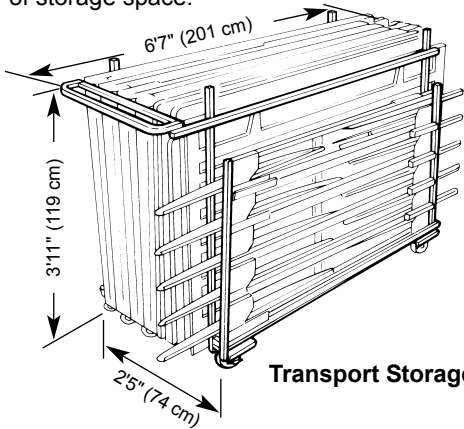
# Travelmaster™ Portable Acoustical Shell

- Standard: L015 87 lbs. (39 kg) Filler: L035 20 lbs. (9 kg).
- Panels are designed to control and reflect vocal and instrumental frequencies.
- Shell panels are constructed of contoured ABS plastic in oyster color.
- Shell consists of standard panels with legs and filler panels.
- Shells can be adjusted from heights of: 9'4" to 12'2" (284cm to 371 cm).
- Durable lightweight Travelmaster Shell units are easy to setup and compact to store. Ideal for traveling.
- Features adjustable canopy for fine tuning.
- Patented.
- Environmental attributes and LEED compliance for this product can be found at [www.wengercorp.com/GREEN](http://www.wengercorp.com/GREEN) or by contacting your Wenger representative.
- Five-year warranty.

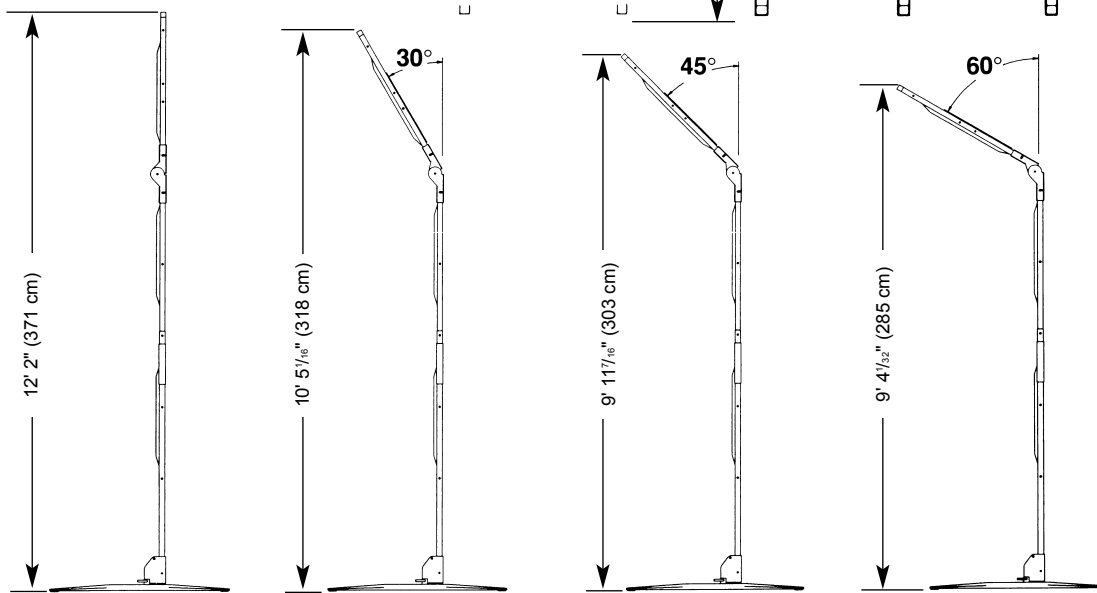
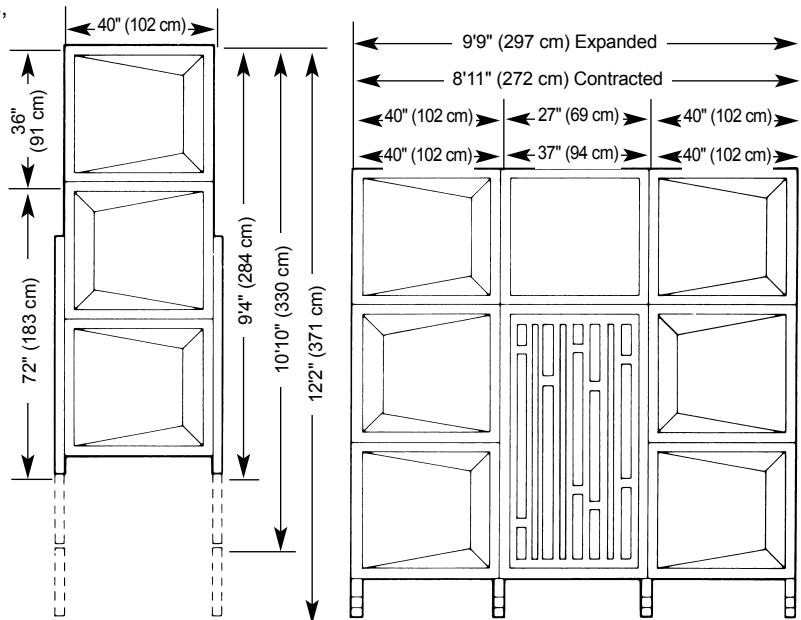
## Travelmaster Shell Accessories

### Storage Cart

- 064A170 75 lbs (34 kg).
- Transport Storage Cart holds five standard panels, four fillers and legs.
- When filled, cart dimension is 6'7" long x 2'5" wide x 4'11" high (201 x 74 x 150 cm) of storage space.



Transport Storage Cart



**WENGER CORPORATION**

555 Park Drive, PO Box 448  
Owatonna, MN 55060-0448  
Phone 800.4WENGER (493.6437)  
Fax 507.455.4258  
Customer Service 800.887.7145

**WENGER CORPORATION**

**CANADIAN REPRESENTATIVE OFFICE**  
Phone 800.268.0148

**WORLDWIDE**

Phone 507.455.4100  
Fax 507.774.8576

**WEB SITE**

[wengercorp.com](http://wengercorp.com)